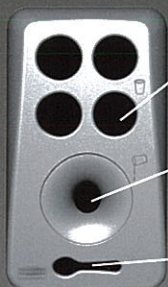
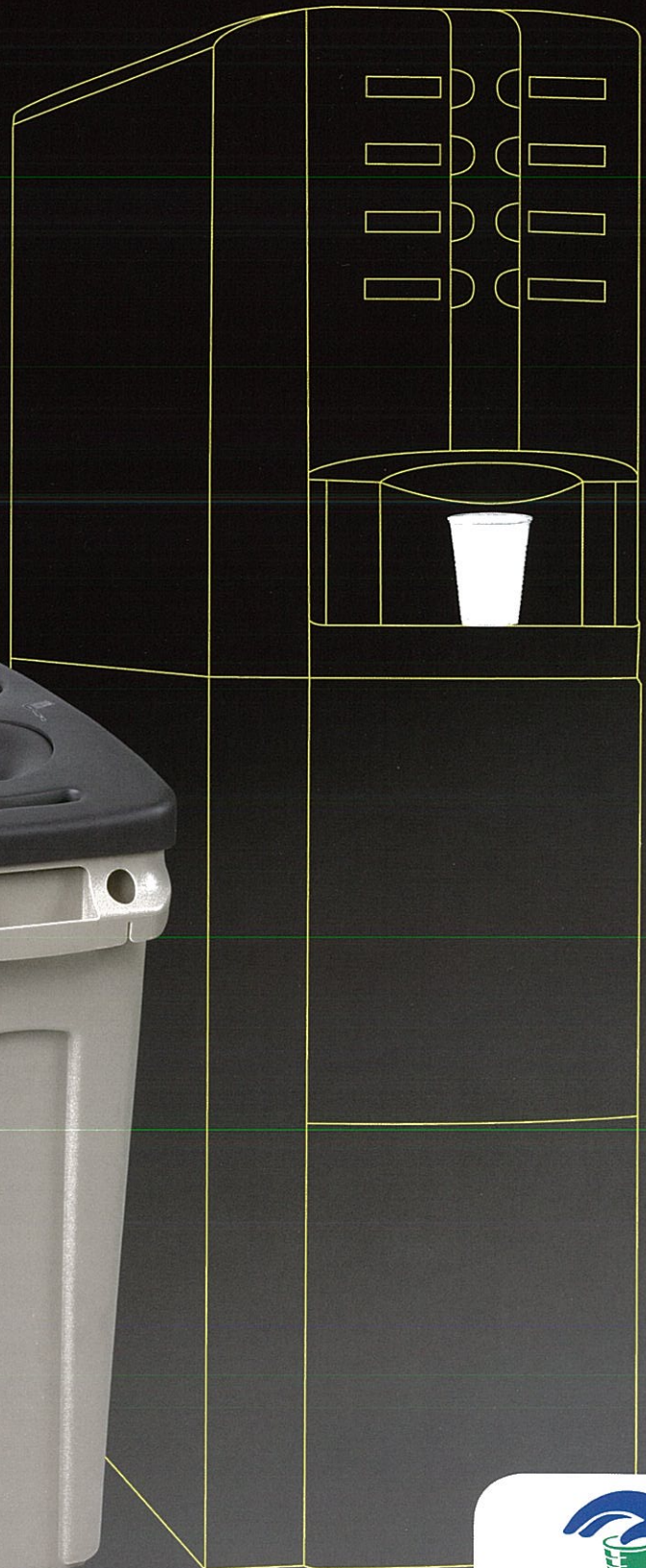


# Slim Jim Cup'n Stack

## MORE EFFICIENT CUP DISPOSAL

- Cleaner
- Easier to use
- Faster to empty



4 holes dedicated to cups

Hole dedicated to liquid

Hole dedicated to spoons and stirrers



save a cup®

# Slim Jim Cup'n Stack

**BEFORE**

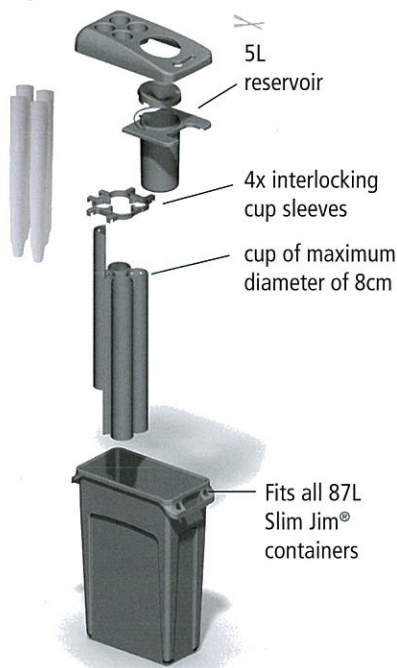


- Dirty
- Overfilling
- Splashing - Spilling

**AFTER**

**Cup'n Stack**

Lid with stacking system and reservoir for leftover liquid.



**Attractive and Easy to use**



**Easier to use**

- Pictograms communicate what goes where inside
- Slanted towards user
- Funnel shape and texture minimize splashing

**Save time and Money**



**Slim Jim container**



**Venting Channels**  
Reduce the pull force required to lift out full can liners.



The Cup'n Stack fits the innovative Slim Jim container with vented channels.

**Cleaner**

- Minimal texture and large radii for easy cleanability
- Reservoir with Funnel top to avoid splashing and cups from going into the reservoir
- Cup stacking system can be split for internal cleaning
- Reservoir and stacking system reduce spillages inside bin

**Faster to empty**

- Lifting of the stacking system to empty. Cups remain in the polyliner bag
- Reservoir :
  - Handling point on bottom for good grip
  - Bail to transport the reservoir easily
- Less frequent emptying : holds 6x more than conventional bin

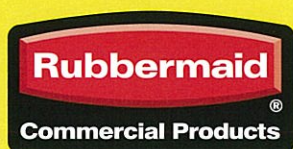


**Base grips**  
Moulded base grips offer better control during emptying. Moulder-in drag rim on the bottom of the container provides added durability.



**Can liner cinches**  
Four pull-through holes and can liner cinches eliminate knot tying. New moulded-in handles make lifting and emptying easier.

Ref	Description	Material	Dimensions	Colour	Pack
2705	Slim Jim® Cup'n Stack	Polyethylene	52 x 30 x 10 cm	Black	1
3540-60	Slim Jim® with venting channels	Polyethylene	55.9 x 27.9 x 76.2 cm	Grey / Black / Beige	4
3540-07	Slim Jim® with venting channels	Polyethylene	55.9 x 27.9 x 76.2 cm	Green / Blue	4



**ORDER NOW !**

The Save a Cup Recycling Company Limited.  
Suite 2, Bridge House, Bridge Street,  
HIGH WYCOMBE, HP11 2EL  
Tel : +44 (0) 1494 510167  
Fax: +44 (0) 1494 510168